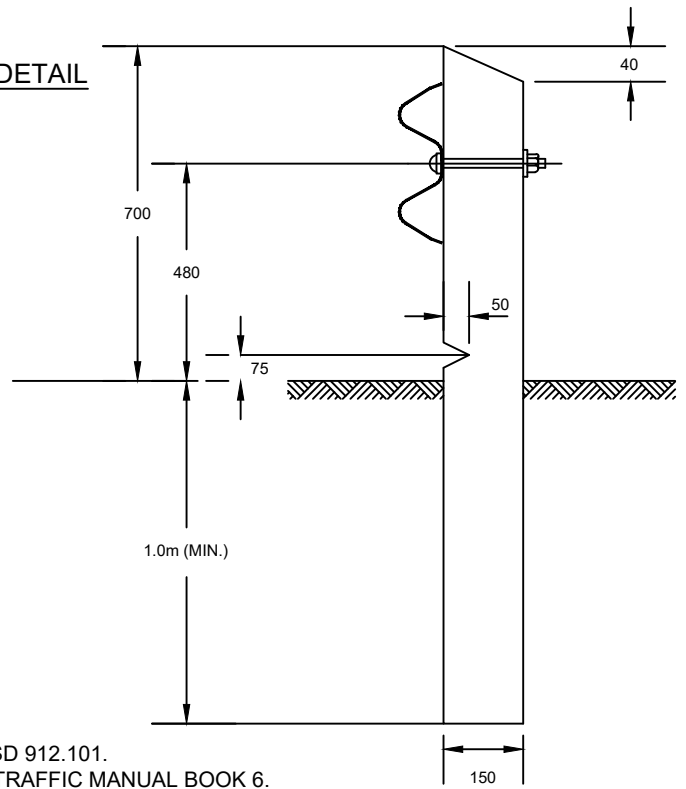


**BARRICADE DETAIL**



**POST DETAIL**

**NOTES**

1. THIS STANDARD IS TO BE READ IN CONJUNCTION WITH OPSD 912.101.
2. CHECKERBOARD SIGN (Wa-108) AS SPECIFIED IN ONTARIO TRAFFIC MANUAL BOOK 6.
3. ALL HARDWARE TO BE GALVANIZED.
4. ALL WOOD MEMBERS ARE TO BE PRESSURE TREATED.
5. POSTS ARE TO BE DIRECT BURIED

ALL DIMENSIONS ARE IN MILLIMETRES UNLESS OTHERWISE NOTED



**STREET TERMINATION DETAIL  
(NON-ASPHALT APPLICATION)**

REVISION NO.: 1  
REVISION DATE: DECEMBER 2025

C-401