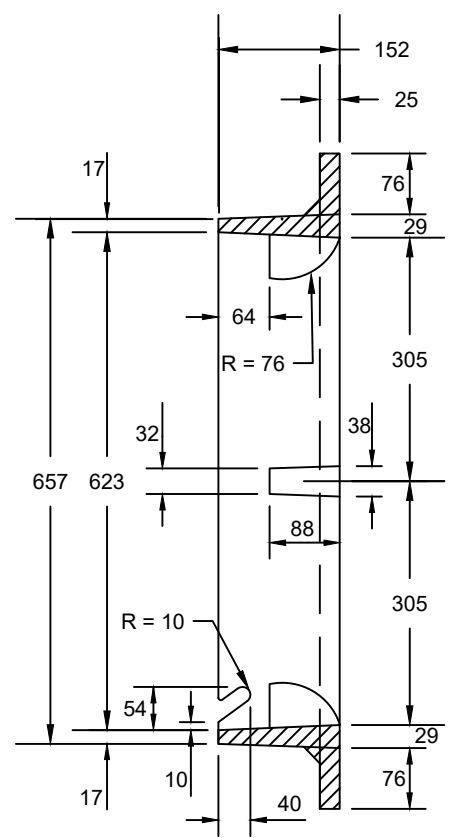
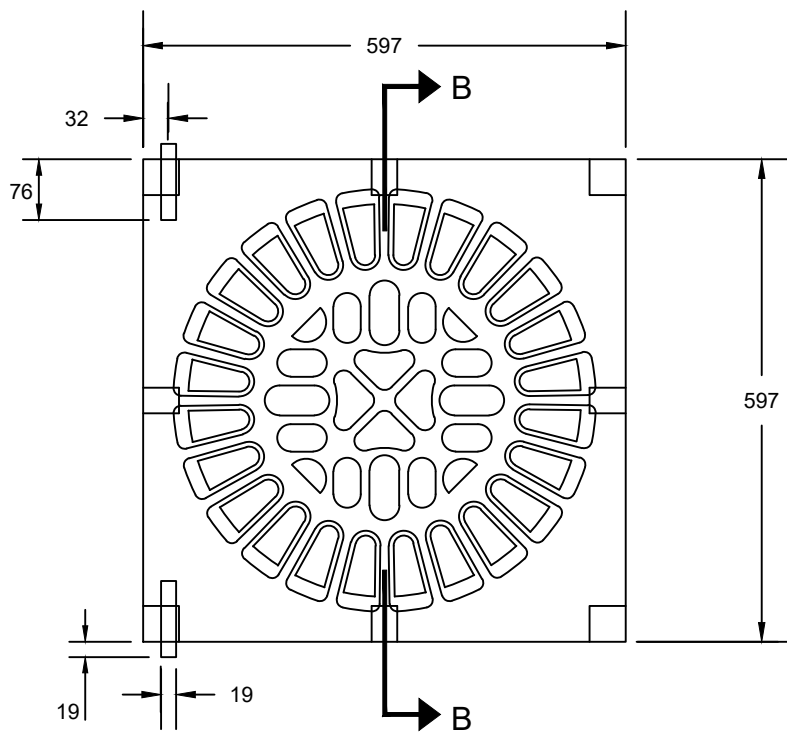


FRAME PLAN



SECTION A-A



GRATE PLAN



SECTION B-B

ALL DIMENSIONS ARE IN MILLIMETRES UNLESS OTHERWISE NOTED

Clarington

**BEEHIVE CATCH BASIN
FRAME & COVER**

REVISION NO.: 1
REVISION DATE: DECEMBER 2025

C-114