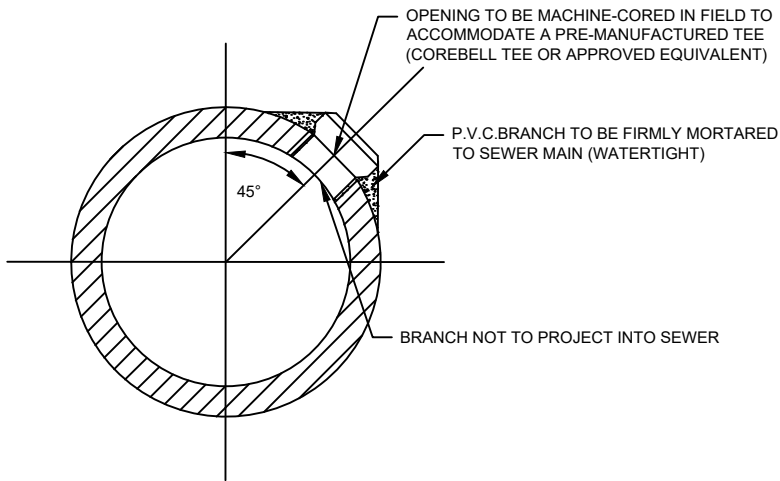
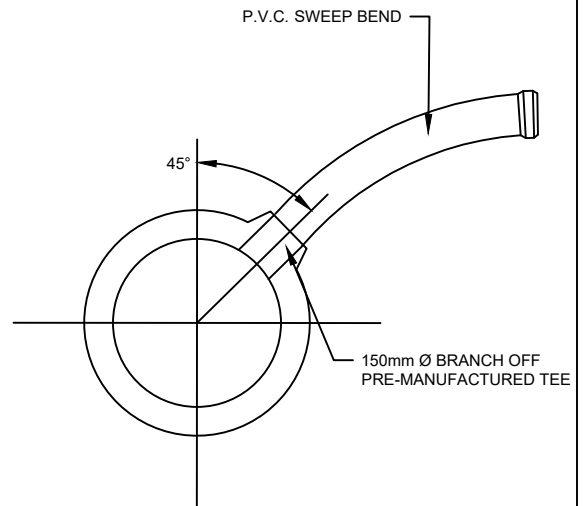


PROFILE



**CONNECTION FOR SEWER MAINS
525mm Ø & LARGER**



**CONNECTION FOR SEWER MAINS
450mm Ø & SMALLER**

NOTES

1. SERVICE CONNECTION INVERT TO ENTER SEWER MAIN AT SPRINGLINE OR HIGHER.
2. ALL PIPE CORES AND CONNECTIONS TO BE APPROVED BY THE MUNICIPALITY OF CLARINGTON.
3. REFER TO DWG C-108 FOR BEDDING DETAILS.

ALL DIMENSIONS ARE IN MILLIMETRES UNLESS OTHERWISE NOTED



**STORM SEWER
SERVICE CONNECTIONS**

REVISION NO.: 1
REVISION DATE: DECEMBER 2025

C-111