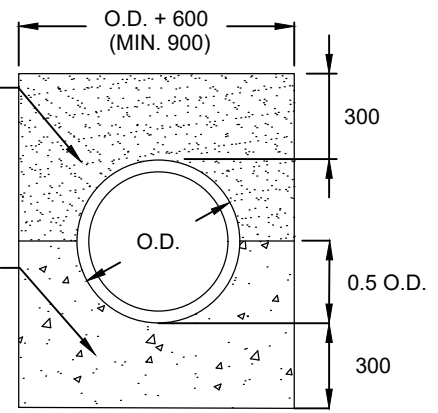


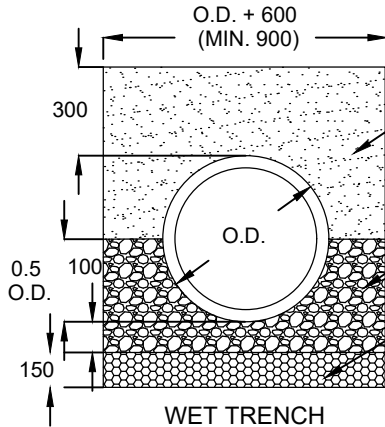
**CONCRETE ENCASEMENT DETAIL**

SAND COVER COMPACTED TO 98% PROCTOR DENSITY

PLAIN OR REINFORCED CONCRETE MIN. 10 MPa



**CONCRETE CRADLE**

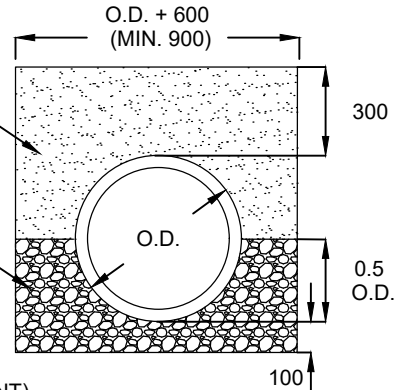


**WET TRENCH**

SAND COVER COMPACTED TO 98% PROCTOR DENSITY

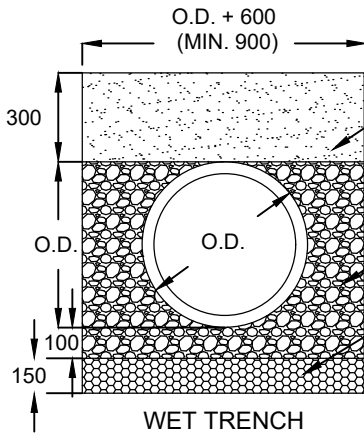
19mm CRUSHER LIMESTONE COMPACTED TO 98% PROCTOR DENSITY

19mm TYPE 1 CLEAR STONE WRAPPED IN GEOTEXTILE (TERRAFIX 270R OR APPROVED EQUIVALENT)



**DRY TRENCH**

**CLASS B BEDDING**

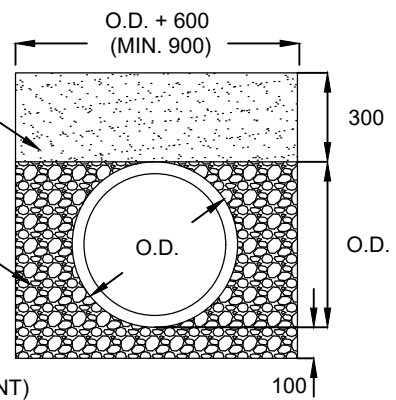


**WET TRENCH**

SAND COVER COMPACTED TO 98% PROCTOR DENSITY

19mm CRUSHER LIMESTONE COMPACTED TO 98% PROCTOR DENSITY

19mm TYPE 1 CLEAR STONE WRAPPED IN GEOTEXTILE (TERRAFIX 270R OR APPROVED EQUIVALENT)



**DRY TRENCH**

**CLASS P BEDDING**

**NOTES**

1. CONCRETE SHALL CONFORM TO OPSS 1350.
2. BEDDING MATERIALS SHALL BE FULLY EXTENDED AND COMPACTED AGAINST TRENCH WALLS. BEDDING MATERIALS SHALL BE PLACED AND COMPACTED IN 150mm LAYERS.
3. NO MECHANICAL COMPACTION EQUIPMENT SHALL BE USED ON TOP OF PIPE PRIOR TO PLACING A MINIMUM OF 300mm OF COVER MATERIAL.
4. PIPE SHALL BE BEDDED TO PROPOSED LINE AND GRADE WITH A UNIFORM AND CONTINUOUS SUPPORT FROM BEDDING. BLOCKING WITH ANY HARD OBJECT IS NOT PERMITTED TO BRING THE PIPE TO GRADE.
5. 19mm DIAMETER CRUSHER RUN LIMESTONE SHALL CONFORM TO OPSS 1010 - GRANULAR A SPECIFICATIONS - TABLE 2.
6. 19mm TYPE 1 CLEAR STONE SHALL CONFORM TO OPSS 1004.

ALL DIMENSIONS ARE IN MILLIMETRES UNLESS OTHERWISE NOTED



**STORM SEWER TRENCH BEDDING**

REVISION NO.: 1  
REVISION DATE: DECEMBER 2025

**C-108**